



UNIVERSITY OF CAMBRIDGE INTERNATIONAL EXAMINATIONS  
International General Certificate of Secondary Education

CANDIDATE  
NAME

CENTRE  
NUMBER

--	--	--	--	--

CANDIDATE  
NUMBER

--	--	--	--

BIOLOGY

0610/61

Paper 6 Alternative to Practical

May/June 2010

1 hour

Candidates answer on the Question Paper.

No Additional Materials are required.

READ THESE INSTRUCTIONS FIRST

Write your Centre number, candidate number and name on all the work you hand in.

Write in dark blue or black pen.

You may use a medium (HB) pencil for any diagrams or graphs.

Do not use staples, paper clips, highlighters, glue or correction fluid.

DO NOT WRITE IN ANY BARCODES.

Answer all questions.

At the end of the examination, fasten all your work securely together.

The number of marks is given in brackets [ ] at the end of each question or part question.

For Examiner's Use	
1	
2	
3	
Total	

This document consists of 9 printed pages and 3 blank pages.



## BLANK PAGE

1 Fig. 1.1 shows sections through blood vessels, X, Y and Z.

For  
Examiner's  
Use



Fig. 1.1

(a) (i) Draw a labelled diagram to show the structures of X.



BLANK PAGE

For  
Examiner's  
Use

(ii) Name the type of blood vessel labelled X.

..... [1]

(iii) Compare the blood vessels shown in Fig. 1.1 to explain how you reached your identification for (a)(ii).

.....  
 .....  
 .....  
 ..... [2]

A 5 mm length of a blood vessel of the same type as X was used to investigate how far it could be stretched using a number of 10 g weights.

The apparatus used is shown in Fig. 1.2.

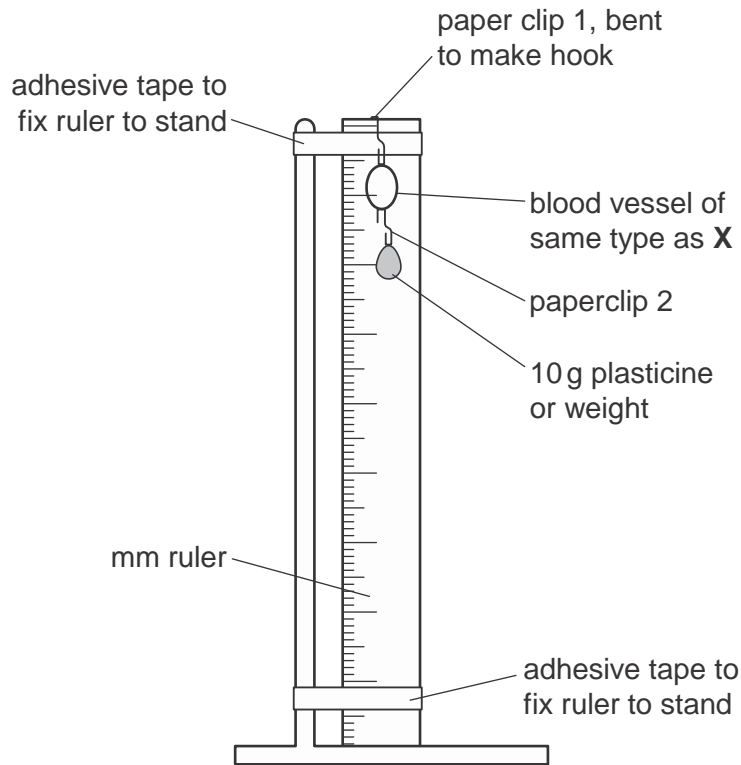


Fig. 1.2

## BLANK PAGE

As weights were added, the internal diameter of the blood vessel increased as shown in Table 1.1.

For  
Examiner's  
Use

Table 1.1

mass of weights / g	internal diameter / mm	increase in diameter / mm
0	20	0
10	25	5
20	29	9
30	32	12
40	33	13
50	34	
60	35	
70	36	
80	37	
90	37	
100	38	

(b) (i) Complete Table 1.1 by calculating the increase in diameter of the blood vessel.

Write your answers in the spaces on Table 1.1.

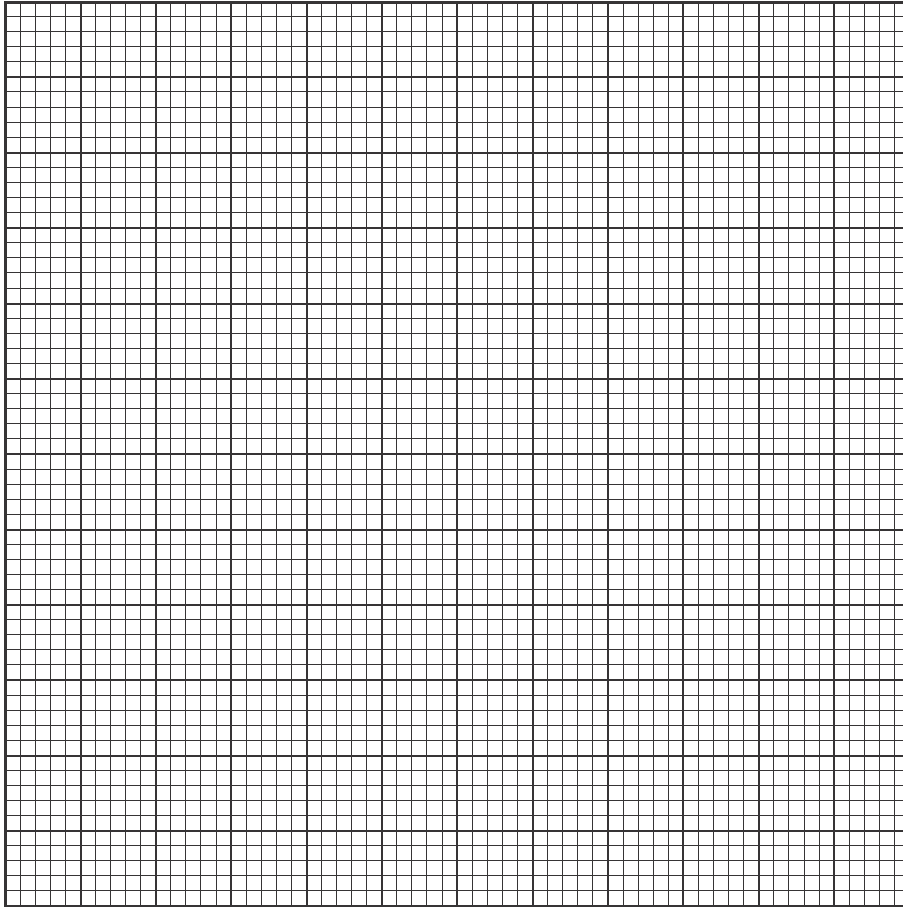
Show your working in the space below.



BLANK PAGE

- (ii) Plot a graph to show the relationship between the mass of weights attached and the increase in diameter of the blood vessel.

For  
Examiner's  
Use



[4]

- (iii) Predict and explain what will happen to the diameter of the blood vessel after the weights are removed.

.....

.....

.....

..... [3]

[Total: 16]

BLANK PAGE

2 The sweet potato, *Ipomoea batatas*, is a different species to the Irish potato, *Solanum tuberosum*.

For  
Examiner's  
Use

sweet  
potato

Irish  
potato

Fig. 2.1

(a) (i) Describe one similarity, visible in Fig.2.1, between the two species of potato.

.....  
..... [1]

(ii) Complete Table 2.1 to show two differences, visible in Fig 2.1, between the two species of potato.

Table 2.1

	sweet potato	Irish potato
difference 1		
difference 2		

[2]





## BLANK PAGE

- 3 Tomato seeds of the same type and maturity were left to germinate in different solutions at 20°C.

In dish A, 20 seeds were left in water.

In dish B, 20 seeds were left in juice from a ripe tomato. The pH of the juice measured pH 6.

In dish C, 10 seeds were left in a solution which was at pH 6. There was no tomato juice in this solution.

Fig. 3.1 shows the seeds after 5 days. Some of the seeds have germinated and short radicles have developed.

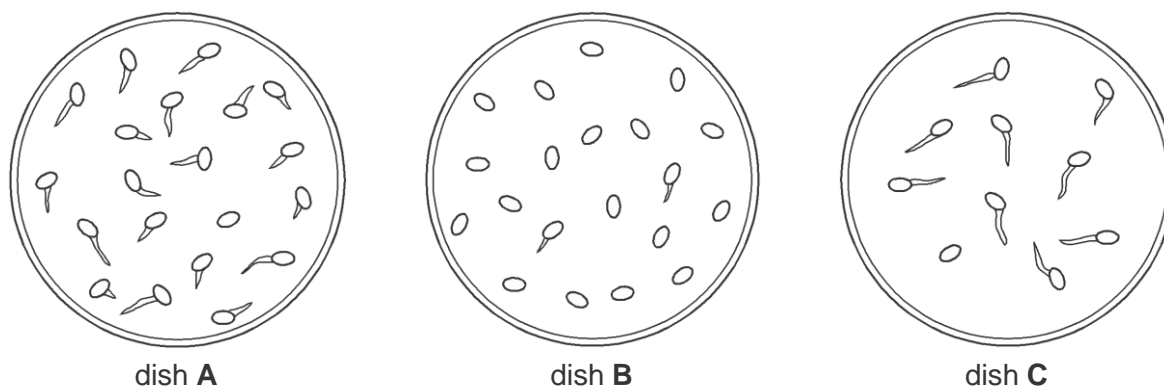


Fig. 3.1

- (a) (i) Record the number of seeds that have germinated in each dish in Table 3.1.

Table 3.1

number of seeds germinating		
dish A	dish B	dish C

[2]

- (ii) Calculate the percentage increase in the number of seeds that have germinated in dish C compared with dish B, if the same number of seeds had been left to germinate in dish C.

Show your working.

BLANK PAGE

..... %

[2]

BLANK PAGE

(iii) Suggest a reason why a larger percentage of seeds have germinated in dish C compared with dish B even though both solutions were at pH 6.

.....  
.....  
..... [2]

(iv) Explain the purpose of dish A in this investigation.

.....  
..... [1]

(b) Design an experiment to find out the effect of pH on seed germination.

.....  
.....  
.....  
.....  
.....  
.....  
.....  
.....  
.....  
.....  
.....  
.....  
.....  
.....  
.....  
.....  
.....  
..... [6]

[Total: 13]

For  
Examiner's  
Use



BLANK PAGE

BLANK PAGE



**BLANK PAGE**

University of Cambridge International Examinations is part of the Cambridge Assessment Group. Cambridge Assessment is the brand name of University of Cambridge Local Examinations Syndicate (UCLES), which is itself a department of the University of Cambridge.